

Panel Meters: Accessories

Accessories Panel Meter Nema 4 Enclosure and Pipe Mount Kit



Nema 4 plastic enclosure ♦ 1/8" DIN cutout pre cut

Description

The APMA2801 has an economically small footprint plastic NEMA 4X enclosure. This enclosure provides a convenient way to mount one meter to walls and other vertical structures. These enclosures come pre-cut with horizontal 1/8 DIN cutouts or they can be ordered with no cutouts. The APMA2801 are provided with a 1/2" conduit hole in the base of the enclosure. The meters are mounted in the cover of the enclosure thus allowing for programming and operation of the meter. No additional mounting hardware other than screws is needed. The cover is secured with four screws. Optional pipe mounting kits are available for mounting the enclosures to 2" pipes. Enclosures, meters and accessories are ordered and packaged separately.

Wall Mounting

The APMA2801 uses four screws (not included) that go through the back of the enclosure for quick and easy wall mounting. Using the screws and a phillips head screwdriver simply assemble each flange in the four threaded screw holes on the back of the enclosure as shown in the example above.

Key Features & Benefits

- Plastic enclosure
- 1/8 DIN cutout pre-cut
- 1/2" conduit hole
- NEMA 4X
- Meter mounted in cover
- Cover held in place with screws
- Mounting holes through enclosure
- Pipe Mounting Kit Options
- UL, C-UL Listed

Ordering Information

APMA2801

NEMA 4X plastic enclosure, holds one APM765, VPM2000 or VPM3000 meter.

APMA6845

Pipe-mount kit (2-inch pipe) for use with APMA2801

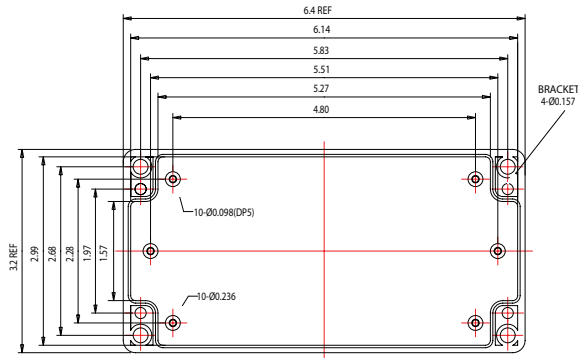


Panel Meters: Accessories Series

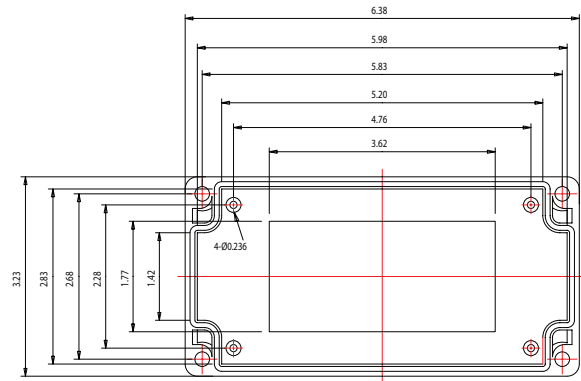
Accessories Panel Meter Nema 4 Enclosure and Pipe Mount Kit

Drawings

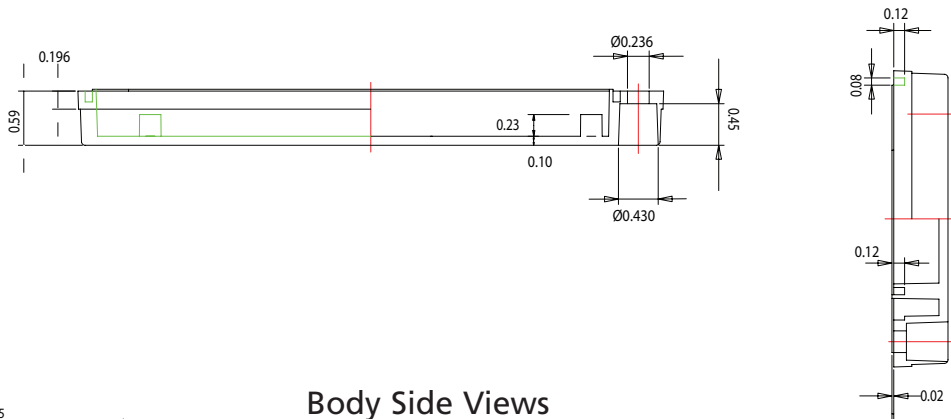
Body



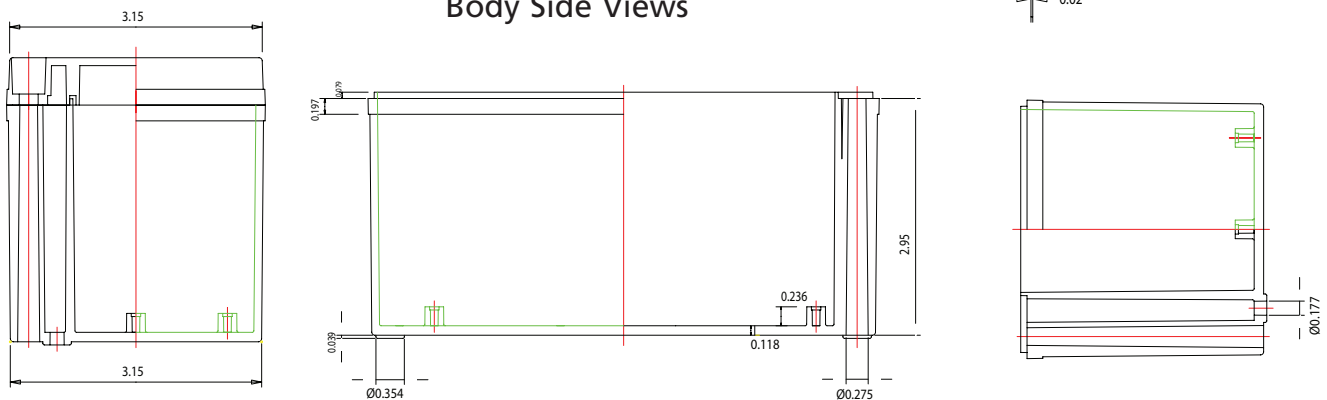
Cover



Cover Side Views



Body Side Views



All dimensions are in inches



Tel 877-214-6267 ■ sales@acromag.com ■ www.acromag.com ■ 30765 Wixom Rd, Wixom, MI 48393 USA