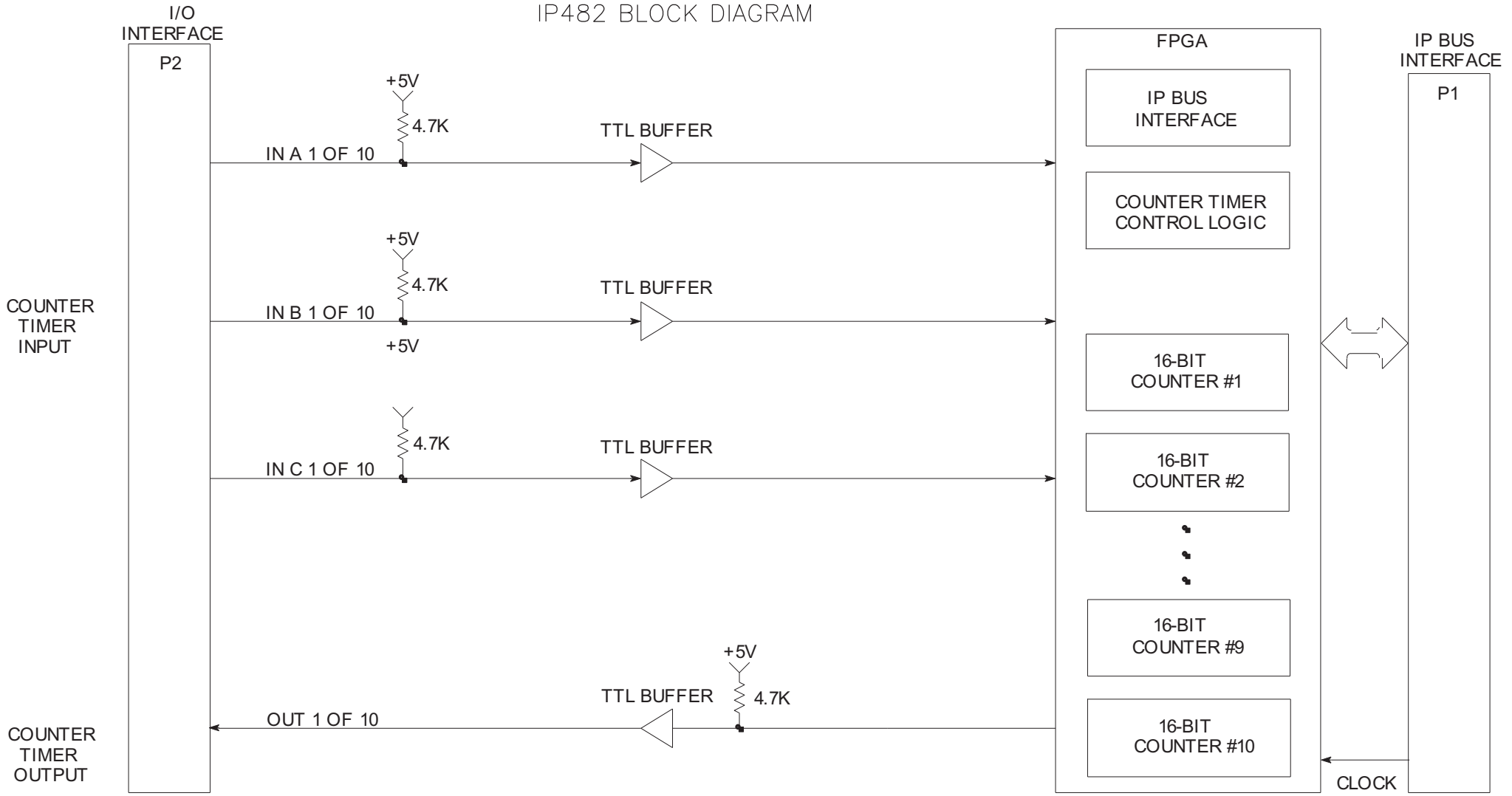


IP482 BLOCK DIAGRAM



Digital I/O signals and interface are not displayed.