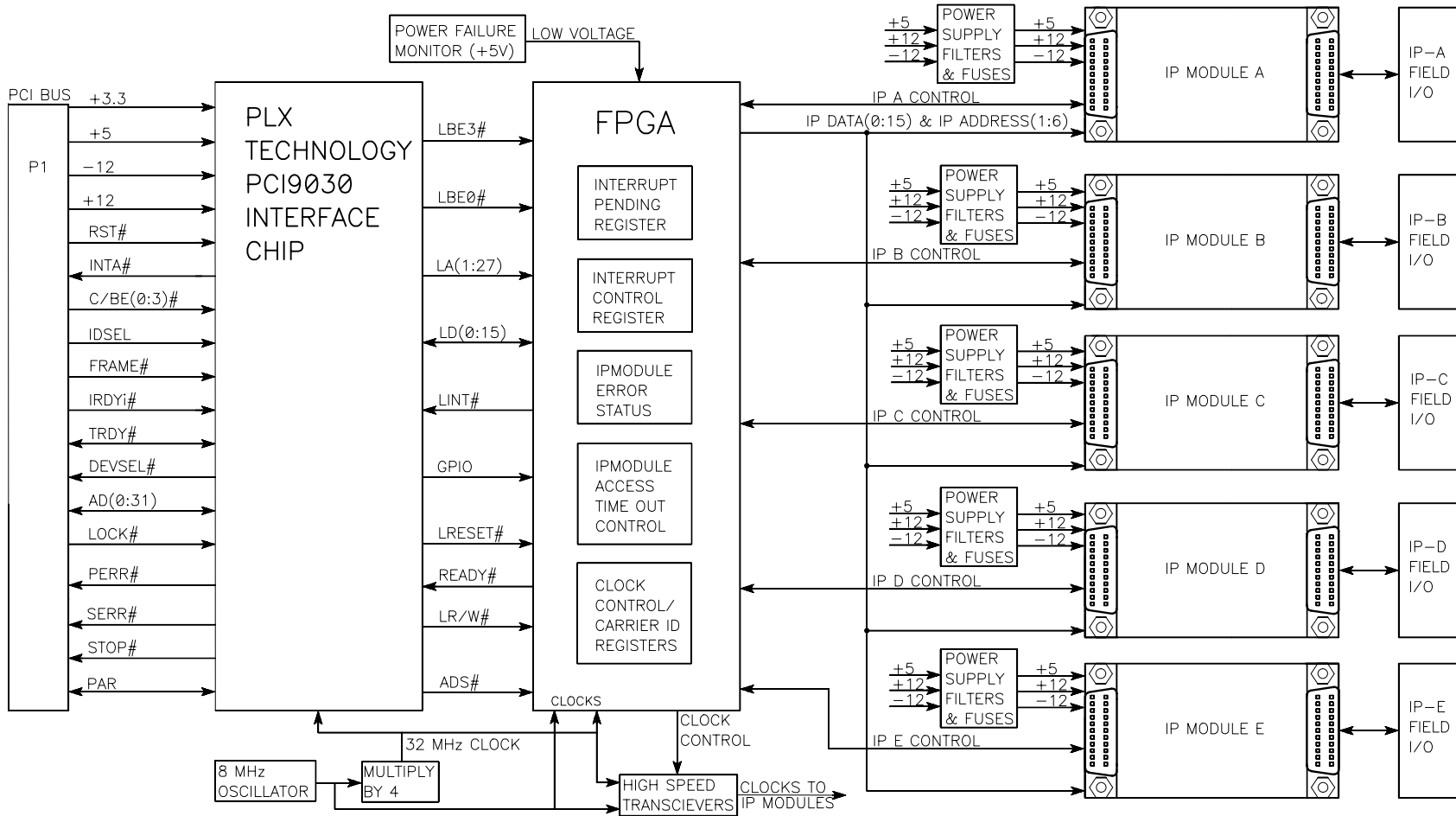


# APC8620A/APC8621A BLOCK DIAGRAM



NOTE: FOR MODEL APC8621A IP MODULES D & E ARE NOT AVAILABLE.