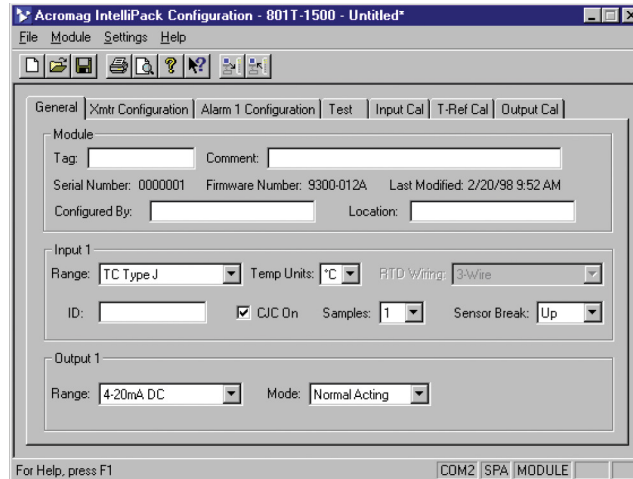
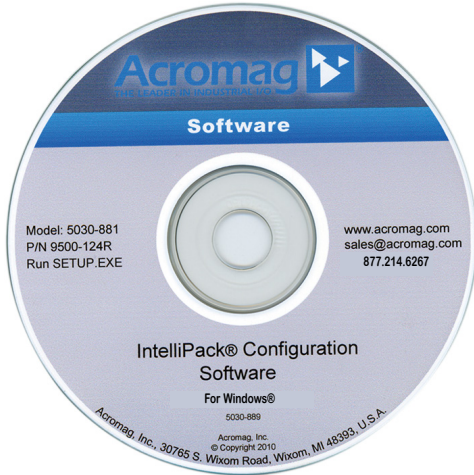


Series 800 IntelliPack I/O Modules

Model 800C-SIP Configuration Software Interface Package



Configuration Software ♦ USB-to-RS232 Adapter ♦ RS232-to-RJ11 Adapter ♦ Interface Cable

Description

Acromag's configuration software is the key to the IntelliPack's easy-to-use operation. The software employs the friendly Windows® interface with pull-down selection menus and fill-in-the-blank fields to speed you through a few brief configuration screens. No programming is required.

An adapter plugs into the serial or USB port of your computer. It serves as an isolated interface between the IntelliPack and the PC. A cable with RJ11 phone-style plugs at each end links the adapter to the IntelliPack's serial port.

Software Compatibility

Windows® XP or newer.

Ordering Information

NOTE: For more information, visit www.acromag.com.

Models

800C-SIP

Software interface package includes user manual, CD, serial port adapter (5030-913), RJ11 interface cable (5030-902), and USB adapter (4001-095).

4001-095

USB-to-DB9 serial port (RS232) adapter. (Doesn't support Windows® XP)

5030-881

Configuration software CD-ROM.

5030-902

Cable. 6 feet long with RJ11 plug at each end.

5030-913

Serial port adapter. DB9S connector to RJ11 jack.

Connection Diagram

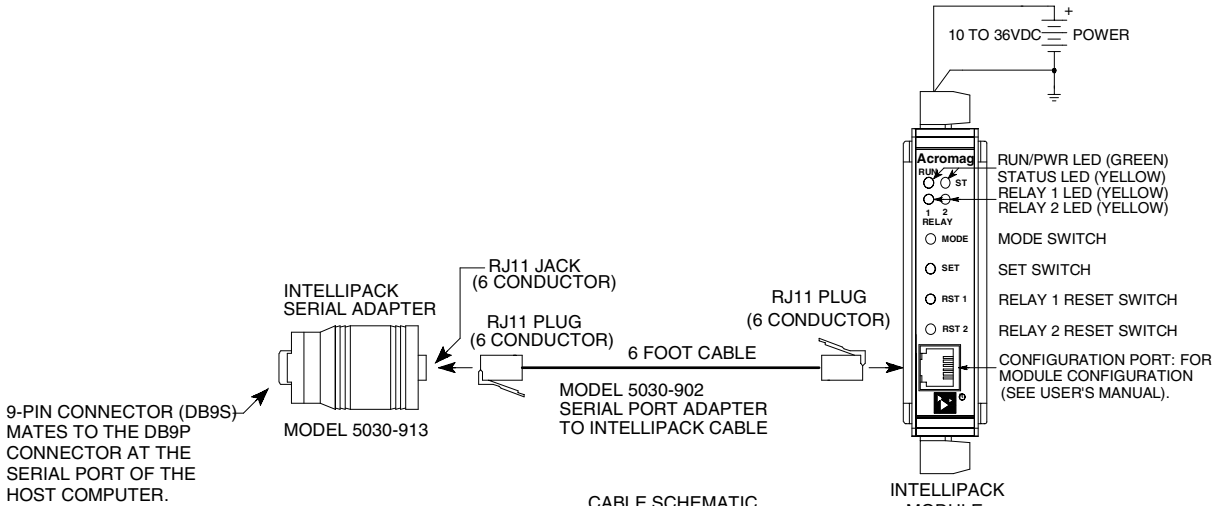
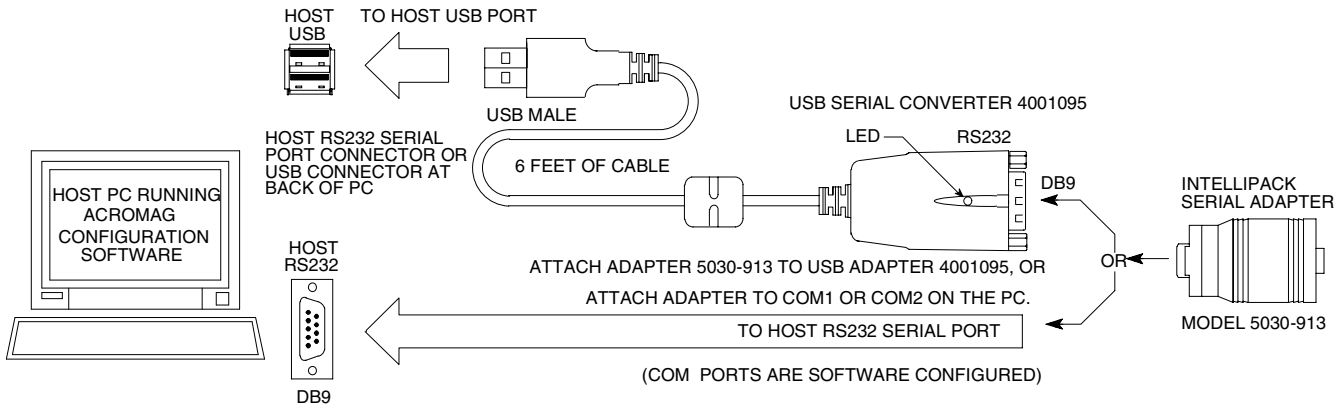
See following page.

Acromag 
THE LEADER IN INDUSTRIAL I/O

Tel: 877-214-6267 ■ sales@acromag.com ■ www.acromag.com ■ 30765 S Wixom Rd, Wixom, MI 48393 USA

Series 800 IntelliPack I/O Modules

INTELLIPACK-TO-COMPUTER CONNECTIONS



CABLE SCHEMATIC (REFERRED TO AS REVERSE TYPE)

+5V	1	1
DOUT	2	2
DINP	3	3
SCLK	4	4
RST	5	5
COM	6	6