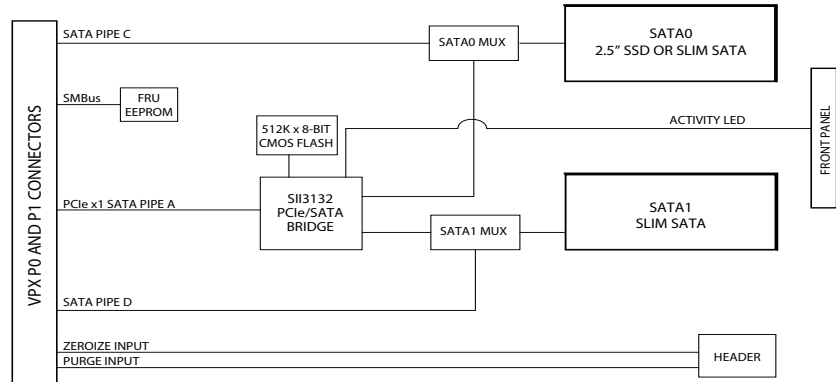


VPX Storage Modules



XVPX-9756 3U VPX Bootable SATA/SAS Drive Module



Boot via PCIe or SATA/SAS ♦ Supports dual SSD or a single 2.5" drive ♦ Dual SSDs are RAID 0/1 configurable

Description

The XVPX-9756 is a bootable SATA/SAS storage module which supports dual slim SATA drives (SSD) or a single 2.5" drive, either rotating or solid state. The module connects directly to the CPU via SATA signals or by means of PCI Express signals through an on-board controller. Given its connectivity options, the XVPX-9756 is an unequaled VPX bootable storage solution.

Key Features & Benefits

- Bootable over PCIe or SATA/SAS
- Supports SATA, SAS, and PCIe interfaces
- Suits customized or standard backplanes
- RAID 0/1 configurable with dual slim SATA drives
- Can support one or two CPU boards via SATA interfaces
- Drive activity LED
- SMBus FRU available for user data and module status

Performance Specifications

■ Bus Compliance

VITA 46.0, 46.4, 46.9, 48, 65
MIL Spec 217-F @105.000 Hrs

■ Form Factor

3U VPXbus 3.94" (100.01mm) x 6.3" (160mm)
Front panel for air cooled module is 0.8" per IEEE 1101.10

■ Environmental

Operating temperature

Air cooled: -40 to 80°C*
Conduction cooled: -40 to 85°C**
REDI cover, conduction cooled: -40 to 85°C***

* w/ 200 lfm airflow

** must operate in a fully installed conduction cooled rack

*** must operate in a fully installed conduction cooled REDI rack

Storage temperature

Air cooled models: -40 to 85°C
Conduction cooled and REDI models: -40 to 105°C

Shock

Operating:
30g peak acceleration, 11ms duration

Non-operating:
50g peak acceleration, 11ms duration

Relative humidity

20 to 80% non-condensing

Vibration (5Hz-2kHz)

Operating:
0.015" (380µm) peak-to-peak displacement
2.5g max acceleration

Non-operating:
0.030" (760µm) peak-to-peak displacement
5.0g max acceleration

Ordering Information

■ XVPX-9756-AB0-X

A = Thermal

- 1 - Air cooled
- 2 - Conduction cooled
- 3 - REDI

B = Drive connector type

- 0 - HD/SDD (SATA)
- 1 - Dual slim SATA

X = Solder

- L - Lead solder
- LF - Lead-free solder



Tel 248-295-0885 ■ solutions@acromag.com ■ www.acromag.com ■ 30765 Wixom Rd, Wixom, MI 48393 USA