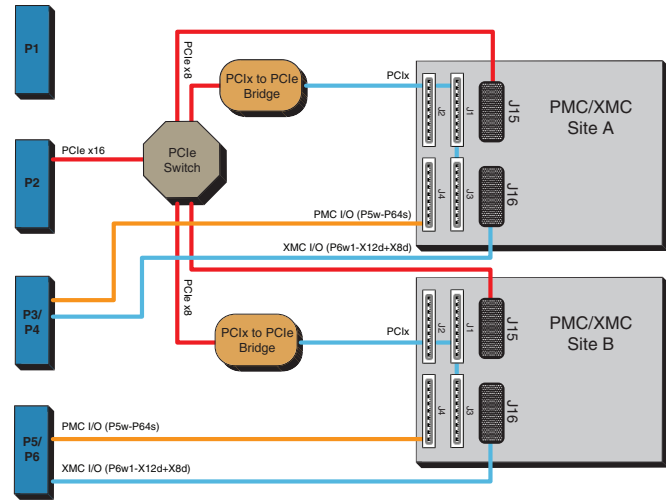
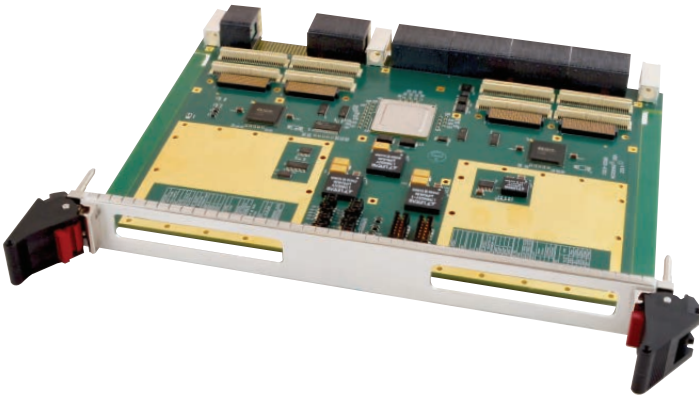


VPX Carrier Cards



VPX4820 VPX Carrier Cards for XMC or PMC Modules



PCIe x8 Gen 2 interface via Expansion plane

Two PMC/XMC slots

6U form factor

Description

The VPX4820 carrier card provides a simple and cost-effective solution for interfacing a PMC or XMC module to a VPX computer system.

Connect to the OpenVPX™ via Expansion plane for a direct PCIe connection over the VPX backplane. This allows host processors access to a high-performance, low latency interconnect to the PMC and XMC modules on the carrier card.

The PMC site uses 32/64-bit, PLX technology with a PCIe to PCI-X bridge; while the XMC site enables rapid data throughput with its use of an 8-lane PCIe Gen 2 interface. These sites support front or rear panel I/O.

By inserting PMC or XMC industrial I/O and configurable FPGA modules, developers can now leverage hundreds of available functions currently unavailable in a VPX platform.

These carriers are ideal for high-performance industrial, defense, scientific research, and telephony systems requiring high-speed I/O expansion. The VPX4820 is available in two versions: air-cooled and conduction-cooled.

The VPX4820 is one member of a family of 3U and 6U OpenVPX mezzanine carrier cards that support a simple and cost-effective solution for interfacing XMC or PMC modules to OpenVPX computer systems.

Key Features & Benefits

- Connects to OpenVPX™ via Expansion plane
- Support for upstream/downstream
- Optional backplane configuration for one 16-lane port, two 8-lane ports, or four 4-lane ports
- Supports dual standard (IEEE 1386.1) PMC/XMC modules with 25W mezzanine sites
- PMC site uses 32/64-bit, 33/66/133MHz PLX technology with a PCIe to PCI-X bridge
- Supports 64-bits of PMC I/O including differential routing to backplane per pattern "P64s" of VITA 46.9
- 5V tolerant with respect to PMC connectors
- XMC site uses PCIe x8 Gen 1 or 2 interface
- Supports 40-bits (20 pairs) of XMC I/O to backplane per pattern "X12d+X8d" of VITA 46.9
- Conforms to VITA 46.0, 46.4, 46.9
- Supports front or rear panel PMC/XMC I/O
- ±12V AUX power to PMC/XMC site
- Monitors FRU information and module temperature



VPX Carrier Cards

VPX4820 VPX Carrier Cards for XMC or PMC Modules

Performance Specifications

NOTE: Specifications below only for VPX4820 carrier. See PMC/XMC data sheet for additional specifications.

General

Form Factor

6U VPX bus 6.299" (160mm) x 9.173" (233.0mm).

Pitch

VPX4820 (air-cooled): 1.0" pitch.

VPX4820-CC (conduction-cooled): 0.81" pitch.

Front Panel

The VPX4820-LF has a 1.0" VITA 48.1 front panel. Contact the factory for IEEE 1101.10 1.0" and 0.8" options.

VPX Carrier Interface

Compatible VITA 65 module / slot profiles:

MOD6-PER-1Q-12.3.5-1 Expansion Plane PCIe Gen1

MOD6-PER-1Q-12.3.5-2 Expansion Plane PCIe Gen2

Note 1: Board is compatible with payload profiles but has no hosting capabilities.

FRU EEPROM with temperature monitor.

PMC/XMC Interface

Two IEEE 1386-2001 PMC/XMC modules in a single VPX slot.

PMC site is PCI-X 2.0 compliant, 32/64-bit, 33/66/133MHz, up to 1GB/s.

XMC site is PCIe Gen 2 and 8 lanes wide.

Front panel I/O support for the PMC/XMC site with 32 differential pairs (air cooled only).

Rear I/O support for the PMC site with 64 I/O lines.

Rear I/O support for XMC site with 20 differential pairs.

VITA 46.9 compliance:

Slot 1 rear I/O map is P3w1-P64s+P4w1-X12d+X8d.

Slot 2 rear I/O map is P5w1-P64s+P6w1-X12d+X8d.

Power

Power Requirements

+5V DC (0 to 70°C):

8A maximum generated from +12V supply.

+5V DC (-40 to 85°C):

5A maximum generated from +12V supply.

+3.3V DC (0 to 70°C):

8A maximum generated from +12V supply.

+3.3V DC (-40 to 85°C):

5A maximum generated from +12V supply.

+3.3V Aux DC: 5mA typical.

+12V DC and -12V DC provided to PMC site from VPX backplane.

+12V DC: Backplane voltage provided to XMC.

±12V Aux DC.

Note: see manual for further information.

Environmental

Air-Cooled Operating Temperature

-20 to 70°C (air flow requirement as measured to be greater than 200 LFM).

Conduction-Cooled Operating Temperature Range

-40 to 85°C (board must operate in a fully-installed conduction-cooled rack).

Storage Temperature Range

-55 to 100°C.

Relative Humidity

5 to 95% non-condensing.

Weight

VPX4820-LF: 1.021 lbs. (0.4631 kg)

VPX4820-CC-LF: 1.418 lbs. (0.6432 kg)

Temperature °C	MTBF (hours)	MTBF (years)	Failure Rate (FIT)
25	647,065	73.9	1.545
40	426,934	48.7	2.342

Ordering Information

Carrier Cards

[VPX4820-LF](#)

VPX carrier card, 6U, two PMC/XMC slots, lead-free

[VPX4820-CC-LF](#)

Conduction-cooled version of VPX-4820-LF

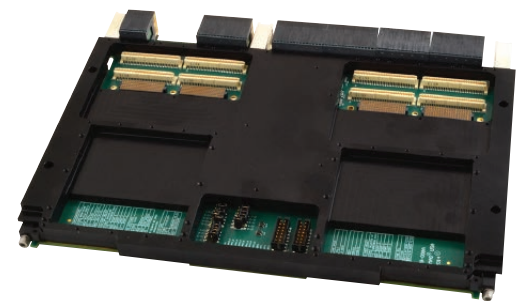
Consult factory for lead solder versions

Accessories

See www.acromag.com for more information.

Software Development Tools

See www.acromag.com for more information.



ISO9001
AS9100



Acromag 
THE LEADER IN INDUSTRIAL I/O

Tel 248-295-0310 ■ Fax 248-624-9234 ■ solutions@acromag.com ■ www.acromag.com ■ 30765 Wixom Rd, Wixom, MI 48393 USA