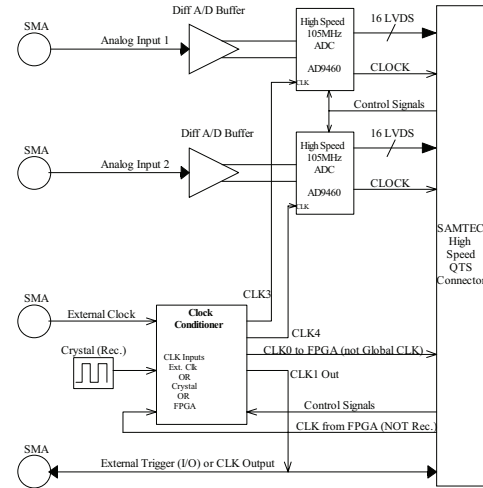


Extension I/O Modules

AXM-A30 Analog I/O Extension Modules for PMC FPGA Boards



High Speed Analog Input ♦ 2 Differential Channels ♦ 2 16-bit A/D Channels

Description

AXM Series extension modules offer numerous I/O options for Acromag's PMC modules with configurable FPGAs. These extension modules plug into the front mezzanine on Acromag's PMC-LX/SX (Virtex®-4 FPGA), and PMC-VLX/VSX/VFX (Virtex-5 FPGA) modules.

AXM-A30 Analog Input

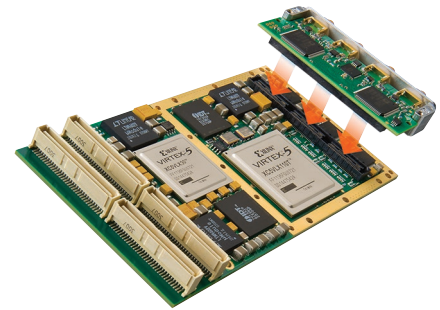
This module features two 105MHz 16-bit A/D channels. An external clock and trigger can be used to control sampling.

An internal precision clock conditioner provides the functions of jitter cleaning/reconditioning, multiplication, and distribution of a reference clock.

Each clock distribution block includes a programmable divider, a phase synchronization circuit, and a programmable delay. This allows multiple integer-related and phase-adjusted copies of the reference to be distributed to multiple system components.

Key Features & Benefits

- Analog Input
- Input configuration: Two differential channels using two Analog Devices AD9460 A/D converter
- A/D resolution: 16 bits
- Input range: 3.4V peak-to-peak, centered at 0V, into a 50 ohm load
- External clock input: 3.3V peak-to-peak
- Input clock range: 1-105MHz
- Maximum throughput rate:
 - 1 channel (max.): 9.5nS (105MHz)
 - 2 channels (max.): 9.5nS (105MHz)
 A/D trigger: External source, FPGA controlled
- Input clock controller: Precision clock conditioner combines the functions of jitter cleaning/reconditioning, multiplication, and distribution of a reference clock
- Signal-to-noise ratio: 69dB (25°C) typical
- Signal-to noise and distortion: 67dB (25°C) typical
- General purpose I/O: Low voltage TTL



AXM modules attach to PMC Modules with user-configurable FPGAs.



Extension I/O Modules

AXM-A30 Analog I/O Extension Modules for PMC FPGA Boards

Performance Specifications

■ AXM-A30 Analog Input

Input configuration

Two differential channels using two Analog Devices AD9460 A/D converter.

A/D resolution

16 bits.

Input range

3.4V peak-to-peak, centered at 0V, into a 50 ohm load.

External clock input:

3.3V peak-to-peak.

Input clock range:

1-105MHz.

Maximum throughput rate

1 channel (max.): 9.5nS (105MHz).

2 channels (max.): 9.5nS (105MHz).

A/D trigger

External source, FPGA controlled.

Input clock controller:

Precision clock conditioner combines the functions of jitter cleaning/reconditioning, multiplication, and distribution of a reference clock.

Signal-to-noise ratio

69dB (25°C) typical.

Signal-to-noise and distortion

67dB (25°C) typical.

General purpose I/O: Low voltage TTL.

■ Physical

Acromag's AXM Series extension modules offer numerous I/O options for Acromag's PMC modules with configurable FPGA. These extension modules plug into the front mezzanine on Acromag's PMC-LX/ SX (Virtex@-4 FPGA), and PMC-VLX/VSX/VFX (Virtex-5 FPGA) modules. Analog and digital I/O AXM modules are sold separately.

Size

11.5 mm high x 31.0 mm deep x 74.0 mm wide
(0.453 inches x 1.220 inches x 2.913 inches).

Stacking height

5.0 mm (0.197 inches).

Weight

41.3 g (1.46 oz).

Connectors

Front field I/O: Four SMA PCB jack female receptacle connectors.

Complies with PMC Specification P1386.1 for a single-width PMC module when installed on a supported PMC module.

■ Environmental

Operating temperature

-0 to 70°C.

Storage temperature

-55 to 105°C.

Relative humidity

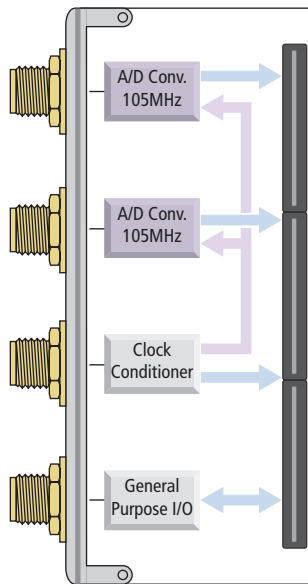
5 to 95% non-condensing.

Power

4.5 Watts typical.

MTBF

1,972,542 hrs. at 25°C, MIL-HDBK-217F, Notice 2.



Ordering Information

■ AXM Plug-In I/O Modules

For more information, see www.acromag.com.

[AXM-A30](#)

2 analog input channels

AXM-??

Custom I/O configurations available, call factory.

■ Accessories

For more information, see www.acromag.com.

[XMC FPGA Modules](#)

[PMC FPGA Modules](#)

