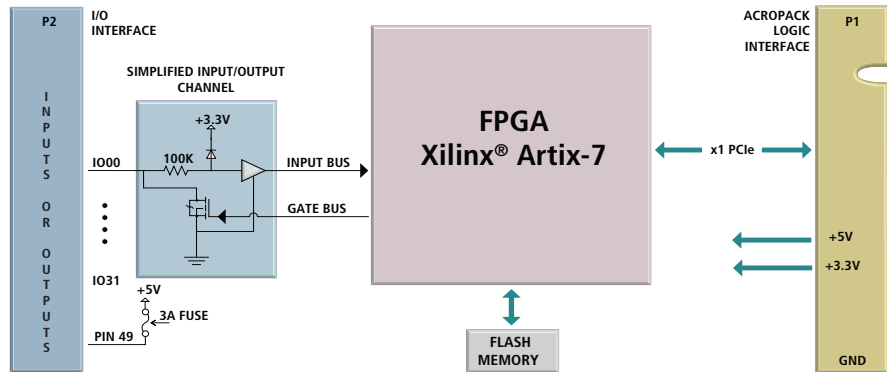
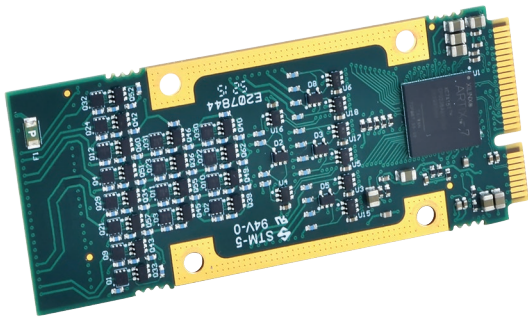


AcroPack® Modules

AP400 Series High Voltage Digital Input/Output



32 Digital I/O Channels ♦ High impedance ♦ PCIe Bus Interface

Description

Model: AP408E-LF

The AcroPack® product line updates our popular Industry Pack I/O modules with a PCIe interface format. This tech-refresh design offers a compact size, low-cost I/O, the same functionality and memory map of the existing Industry Pack modules and a rugged form factor.

The AP408 monitors or controls the on/off (high/low) status of up to 32 devices. Each channel can be used as an input or output.

All 32 input channels can be configured with interrupts for a change of state or level detection of any bit. The TTL input threshold includes hysteresis for increasing noise immunity.

In order to ensure safe, reliable control under all conditions, output operation is "fail-safe." That is, the outputs are always off upon power-up and are automatically cleared following a software reset.

Loopback monitoring of critical control signals is easy since the input and output circuitry are connected in tandem to each channel.

The AP408 is 70mm long, this is 19.05mm longer than the full length mini PCIe card at 50.95mm. The board width is the same as mPCIe board of 30mm and uses the same mPCIe standard board hold down standoff and screw keep out areas.

A down facing 100 pin Samtec connector will mate with the carrier card. Fifty of these signals are available as field I/O signals. Pin spacing and signal assignments will allow for 100V of signal to signal isolation.

The AP408 maintains the same functionality and memory map of the existing Industry Pack modules providing a smooth transition to the AcroPack I/O modules.

Key Features & Benefits

- PCI Express Generation 1 interface
- 32 digital input/output channels
- 0 to 60V DC input range, 60V DC low-side switch outputs
- Outputs sink up to 1A per channel
- TTL-compatible input threshold with hysteresis
- Change-of-state/level interrupts (up to 32)
- Buffered inputs include hysteresis to increase noise immunity.
- Interrupts are software-programmable for a change of state or level detection.
- Loopback monitoring enables self-test and fault diagnostics to detect open output switches or shorts.
- High impedance inputs prevent loading of the input source and minimize current.
- Individual outputs sink up to 1A DC continuous. No deration of output current required at elevated temperatures.



Tel: 844-878-2352 ■ solutions@acromag.com ■ www.acromag.com ■ 30765 Wixom Rd, Wixom, MI 48393 USA

Performance Specifications

Digital Inputs

Input channel configuration

32 noninverting buffered inputs with a common connection

Input signal voltage range

0 to 60V DC, maximum

Input signal threshold

TTL compatible. Limited to TTL levels of 0.8V DC (max. low level) and 2.0V DC (minimum high level)

Interrupts

Change-of-state and level on channels 0-31

Digital Outputs

Channel configuration

32 open-drain MOSFETs with common source connection

Output ON current range

0 to 1A DC, continuous per channel (5A total for all channels combined). No deration required at elevated ambients

Output Rds ON Resistance

0.1 Ω maximum

PCI Express Base Specification

Conforms to revision 2.1

Lanes

1 lane in each direction

Bus Speed

2.5 Gbps (Generation 1)

Memory

4k space required

1 base address register

Environmental

Operating temperature

-40 to 70°C.

-40 to 85°C.

(requires an AcroPack heatsink conduction-cool kit)

Storage temperature

-40 to 125°C

Relative humidity

5 to 95% non-condensing

Power

+3.3V ($\pm 5\%$) — 400mA typical 600mA maximum

+5V ($\pm 5\%$) — 20mA typical 50mA maximum

Physical

Length

70mm

Width

30mm

Ordering Information

AcroPack[®] Modules

[AP408E-LF](#)

32 bidirectional input/output channels

(Note: AcroPack modules are compatible only with the carriers listed below)

Accessories

[AP-CC-01](#)

Conduction-cool kit

Carrier Cards

See Acromag.com/AcroPack-Carriers for a full list of AcroPack carrier cards.

Software (see software documentation for details)

[APSW-API-VXW](#)

VxWorks[®] software support package.

[APSW-API-WIN](#)

Windows[®] DLL driver software support package.

[APSW-API-LNX](#)

Linux[®] support (website download only).



AP-CC-01 Conduction-Cool Kit