



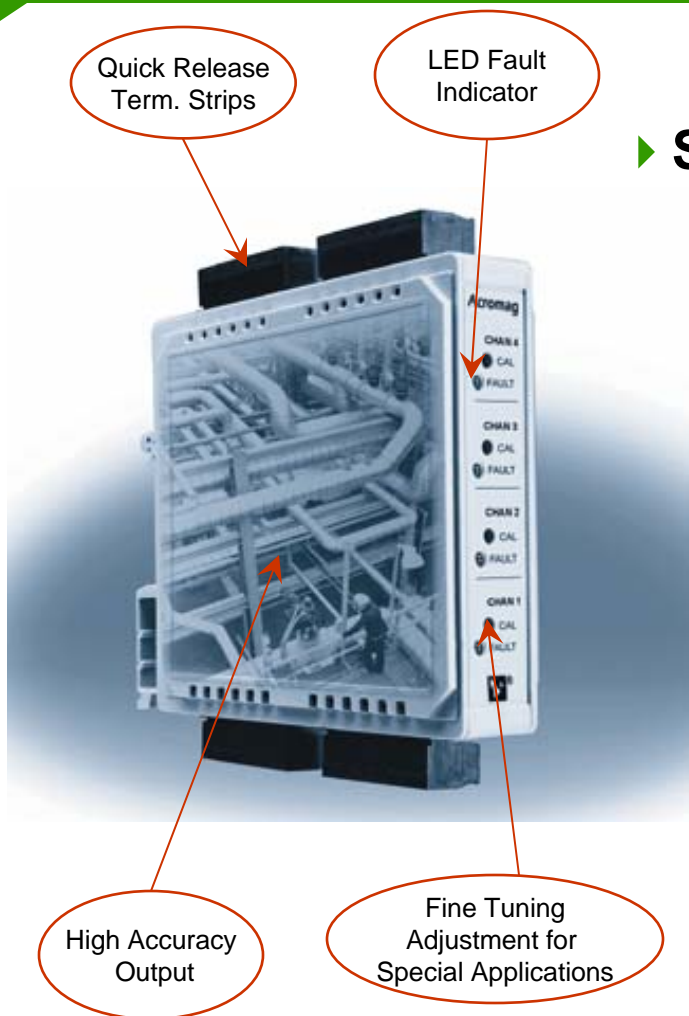
## 670T 4-20mA Loop Powered Isolators



- ▶ **Models**
  - ▶ 671T: Single I/O channel
  - ▶ 672T: Dual I/O channel
  - ▶ 674T: Quad I/O channel
  
- ▶ **Input/Output Ranges**
  - ▶ 4 to 20mA DC Input
  - ▶ 4 to 20mA DC Output
  
- ▶ **Power Requirement**
  - ▶ Loop powered
  - ▶ Derived from input signal current



## 670T 4-20mA Loop Powered Isolators

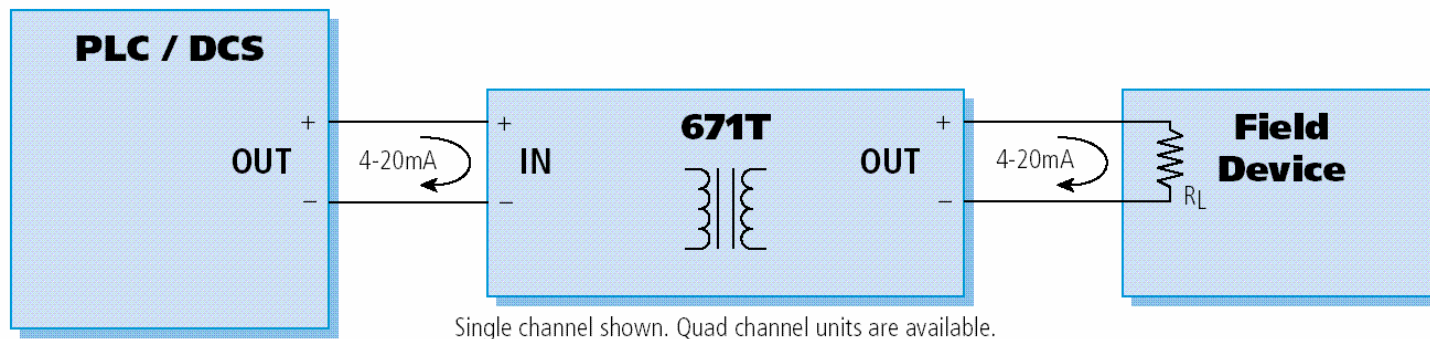


### ▶ Special Features & Benefits

- ▶ 672T: Two Independent channels in a single unit
- ▶ 674T: Four Independent channels in a single unit
  - ▶ Non-Interaction between channels
  - ▶ Saves space
  - ▶ Reduces costs
- ▶ Fault LEDs indicate open/failed loops
- ▶ Single calibration pot per channel for simple fine tune adjustment



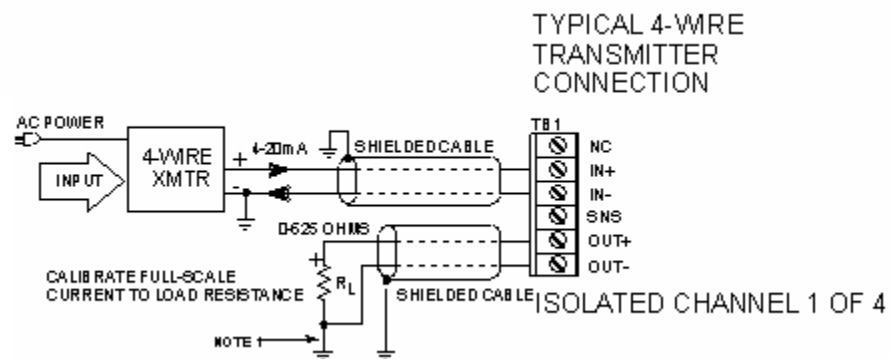
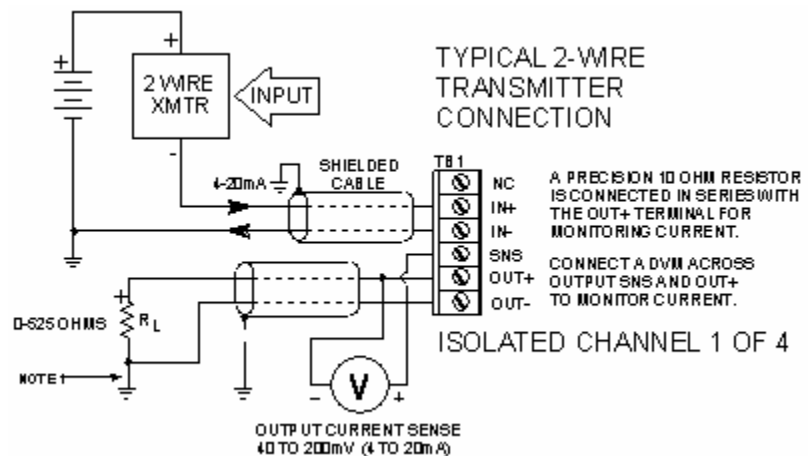
## 670T 4-20mA Loop Powered Isolators



- ▶ **Single, Dual or Four Channels of isolation**
  - ▶ **Galvanic Isolation**
  - ▶ **Eliminates ground loops**
  - ▶ **Reduces noise**
  - ▶ **Blocks transient signals**
- ▶ **Output Loop Power derived from Input Signal Current**
- ▶ **Drives purely resistive loads**



## 670T Wiring Diagrams



NOTE 1: THIS GROUND CONNECTION IS RECOMMENDED FOR BEST RESULTS. IF SENSORS ARE INHERENTLY CONNECTED TO GROUND, USE CAUTION AND AVOID MAKING ADDITIONAL GROUND CONNECTIONS WHICH COULD GENERATE GROUND LOOPS AND MEASUREMENT ERROR.