

Series 600T Application Notes

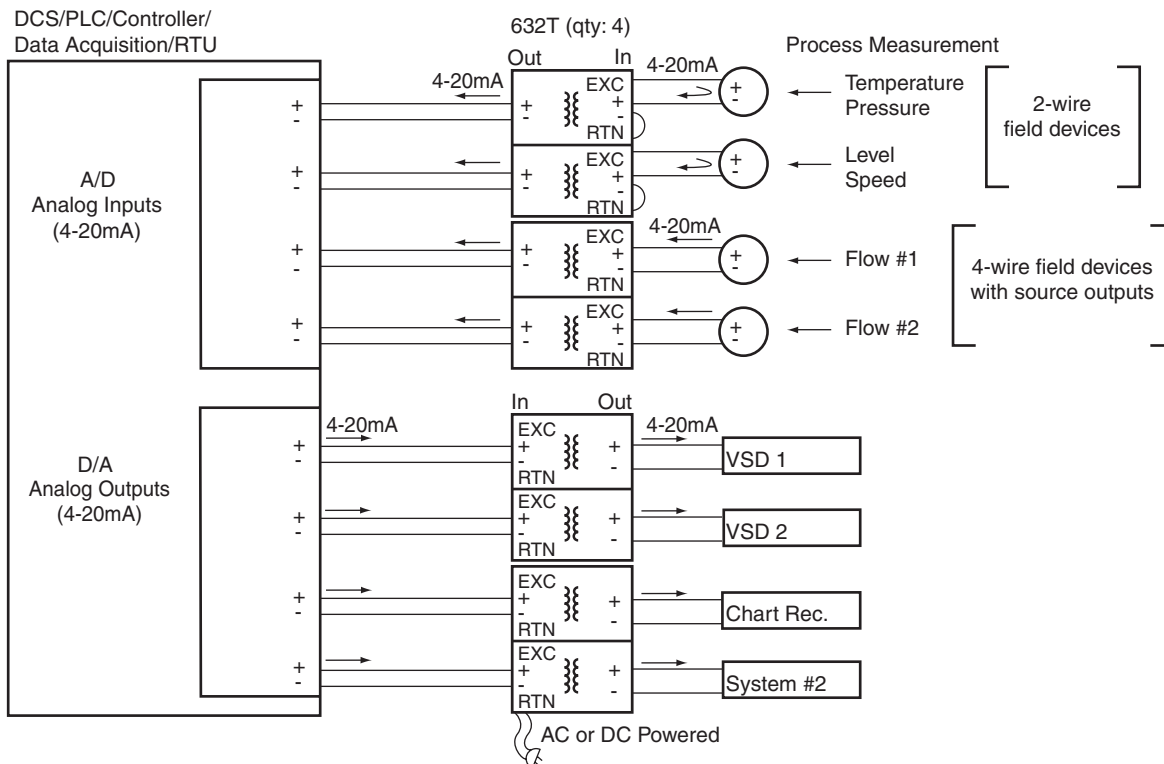
Application 6

Problem: Require 4-wire isolators for input and output signals for controller. Built-in excitation supply needed for some field 2-wire devices.

Solution

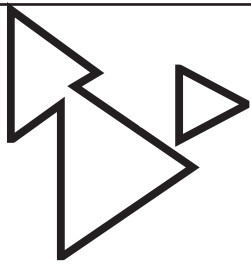
Model 632T-0100 (dual channel, AC powered) or
Model 632T-0500 (dual channel, DC powered).

Model 631T for single channel 4-wire isolators.



Notes:

1. Isolator input load (per channel) = 75 ohms max. (1.5V DC drop)
2. Input loop(s) are unaffected by faults on output loop(s)
3. AC powered models operate on 90 - 265V AC or 125V DC $\pm 10\%$
4. DC powered models operate on 15 - 36V DC
5. 63xT 4-wire isolators are ideal for isolating both input and output signals for a controller/system.



Series 600T Application Notes

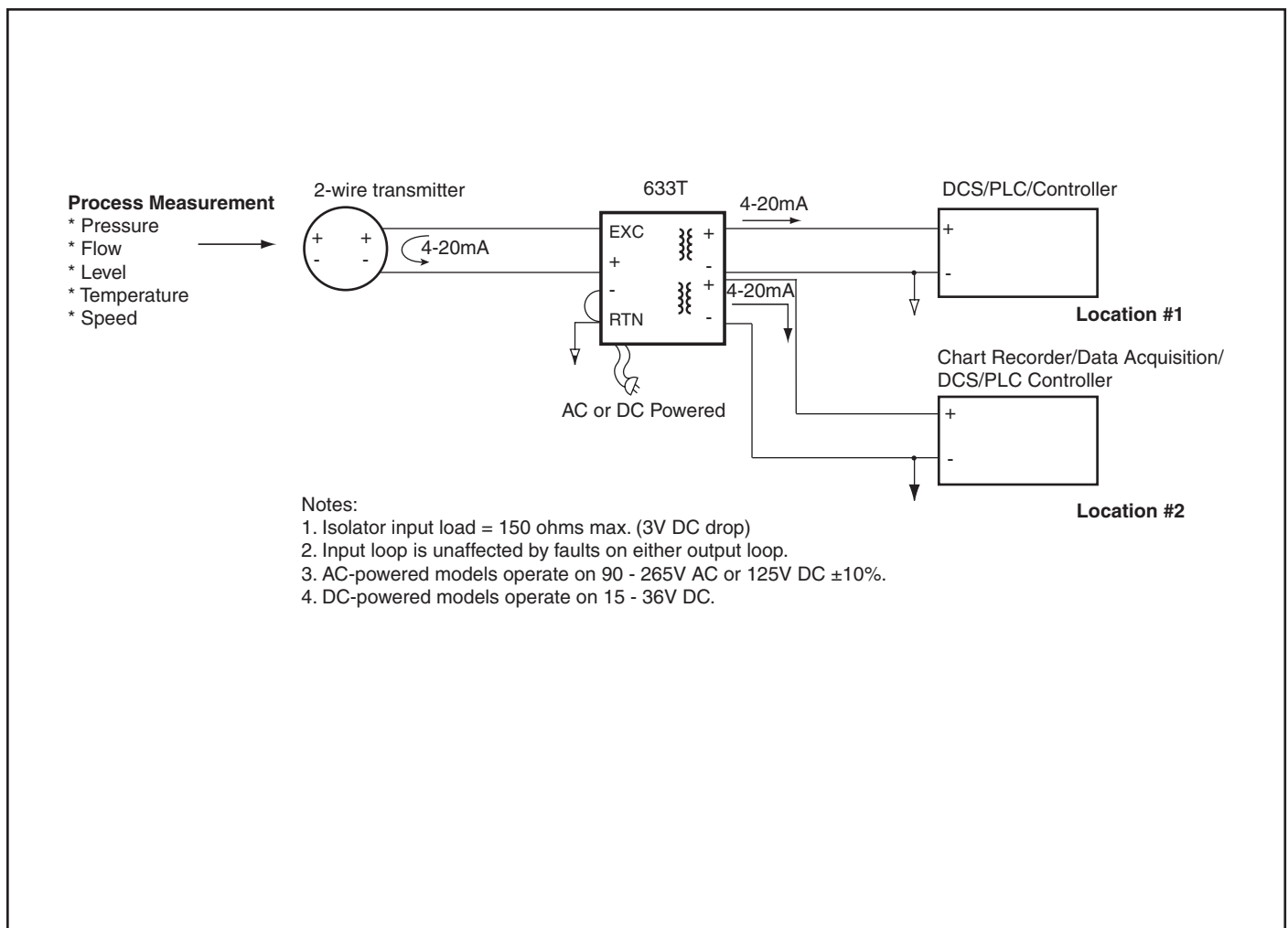
Application 7

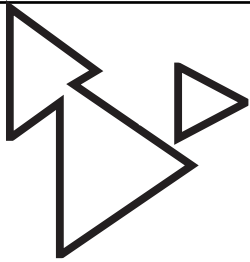
Problem: Require a 4-wire isolator “splitter” to excite a field device and re-transmit 4-20mA to two locations.

Solution

Model 633T-0100 (AC powered) or
Model 633T-0500 (DC powered).

Use additional Model 633T units for re-transmitting to more locations. Install inputs in series with primary 4-20mA loop or the re-transmitted loops as required.





Series 600T Application Notes

Application 8

Problem: Require 4-wire isolators to retransmit a 4-20mA signal to three locations.

Solution

Model 633T-0x00 (splitter) and
Model 631T-0x00 (one channel isolator).

(Where x = 1 or 5 for AC or DC power)

